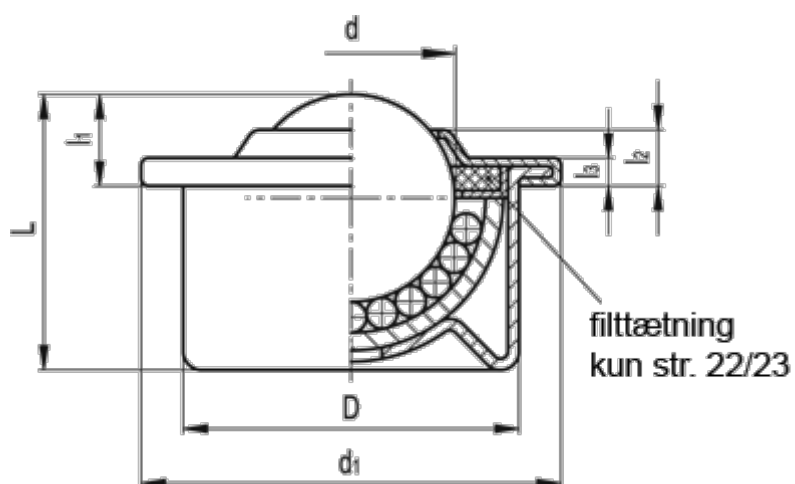


Article number: 20604028

Description: E+G Ball transfer unit
GN 509-30-SBL

Measures



d = 30.1

D = 45

d_1 = 55

$L \pm 0.3$ = 38.0

$l_1 \pm 0.3$ = 13.5

$l_2 \pm 0.3$ = 7

l_3 = 3.5

Max load (N) = 2000

Weight (g) = 265